

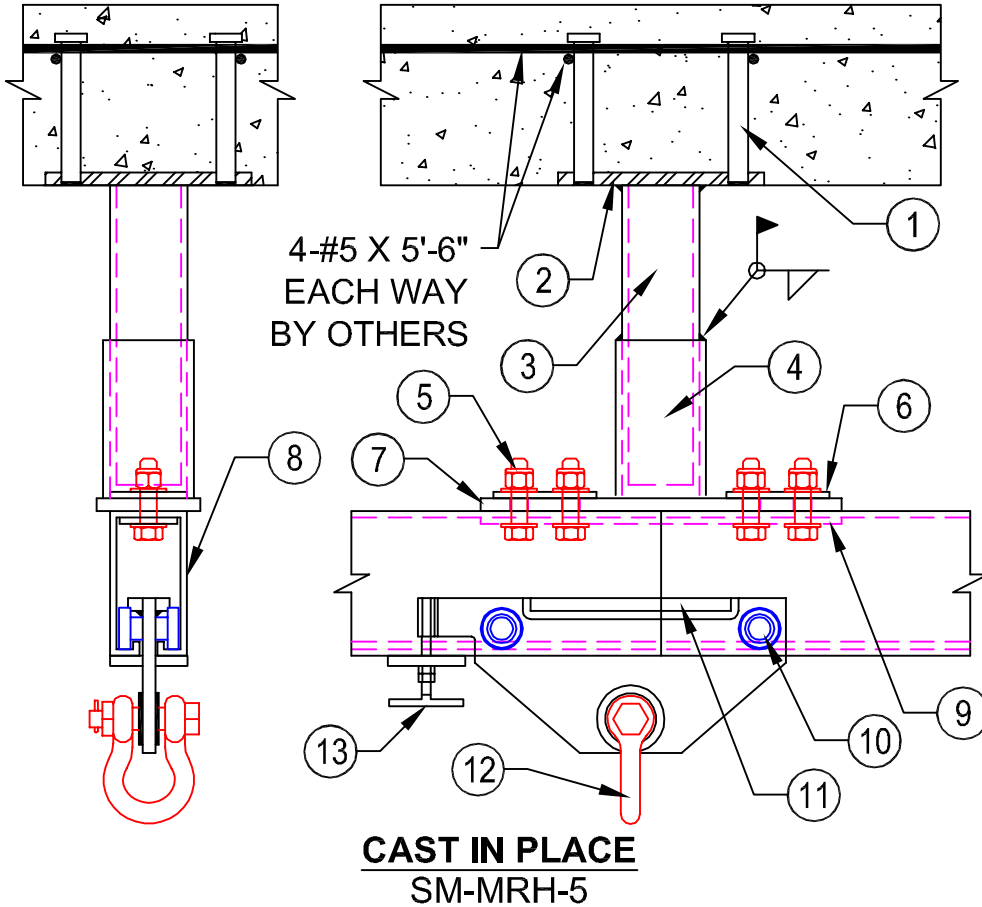


Summit Anchor Company Inc.

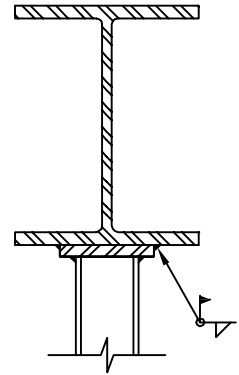
5406 Duke Ct.
 Frederick, MD 21703
 Tel: 301.620.8820, Fax: 301.620.9819
 Toll Free: 800.372.1098
 Web: www.summitanchor.com

NOTE:
 MONORAIL IS CAPABLE OF SUPPORTING 4,000 LB. ULTIMATE LOAD AND 1,000 LB. ALLOWABLE LOAD. MONORAIL MAY FAIL DUE TO IMPROPER INSTALLATION OR INADEQUATE SUPPORTING STRUCTURE. SERIOUS INJURY OR DEATH MAY RESULT FROM MONORAIL FAILURE. INSTALLATION OF MONORAIL MUST BE PERFORMED UNDER THE SUPERVISION OF A PROFESSIONAL ENGINEER WITH EXPERIENCE IN SUSPENDED ACCESS EQUIPMENT. ADDITIONALLY, MONORAIL SHALL BE TESTED UNDER THE SUPERVISION OF A P.E. AND CERTIFIED BEFORE BEING PLACED INTO SERVICE.

MONORAIL HANGER SUMMIT MODEL# SM-MRH

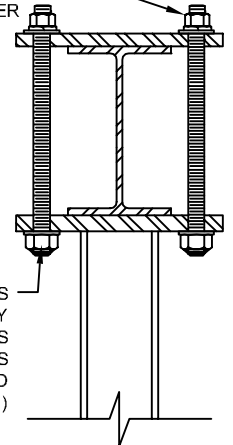


- ① (4) 3/4" Ø x 5-7/16" LG. STUDS
- ② 8" X 8" X 1/2" BASE PLATE SET FLUSH WITH CONCRETE SLAB
- ③ 3" HSS TUBE FOR VERTICAL ADJUSTMENT
- ④ 3-1/2" HSS TUBE
- ⑤ (4) BOLTS, LOCK WASHERS, & NYLON LOCKING HEX NUTS
- ⑥ 3" X 4" X 1/4" PLATE TO COVER SLOTTED HOLES
- ⑦ 14" X 4" X 1/2" SPLICE PLATE
- ⑧ ALUMINUM EMBEDDED MONORAIL
- ⑨ 14" X 2-1/4" X 1/4" SPLICE PLATE
- ⑩ STAINLESS STEEL BEARING WHEELS
- ⑪ SAFETY STOP
- ⑫ SUSPENSION SHACKEL
- ⑬ ADJUSTABLE TROLLEY BRAKE



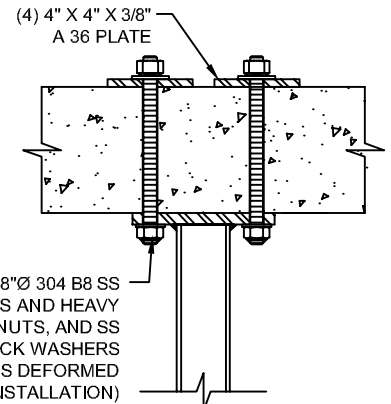
WELDED-SM-MRH-4

(4) 304 B8 SS HEAVY HEX NUT, SS LOCK WASHER, & GALV. FLAT WASHER



WRAP AROUND-SM-MRH-3

(4) 5/8"Ø 304 B8 SS BOLTS AND HEAVY HEX NUTS, AND SS LOCK WASHERS (THREADS DEFORMED AFTER INSTALLATION)



(4) 5/8"Ø 304 B8 SS BOLTS AND HEAVY HEX NUTS, AND SS LOCK WASHERS (THREADS DEFORMED AFTER INSTALLATION)

BOLT THROUGH-SM-MRH-1