

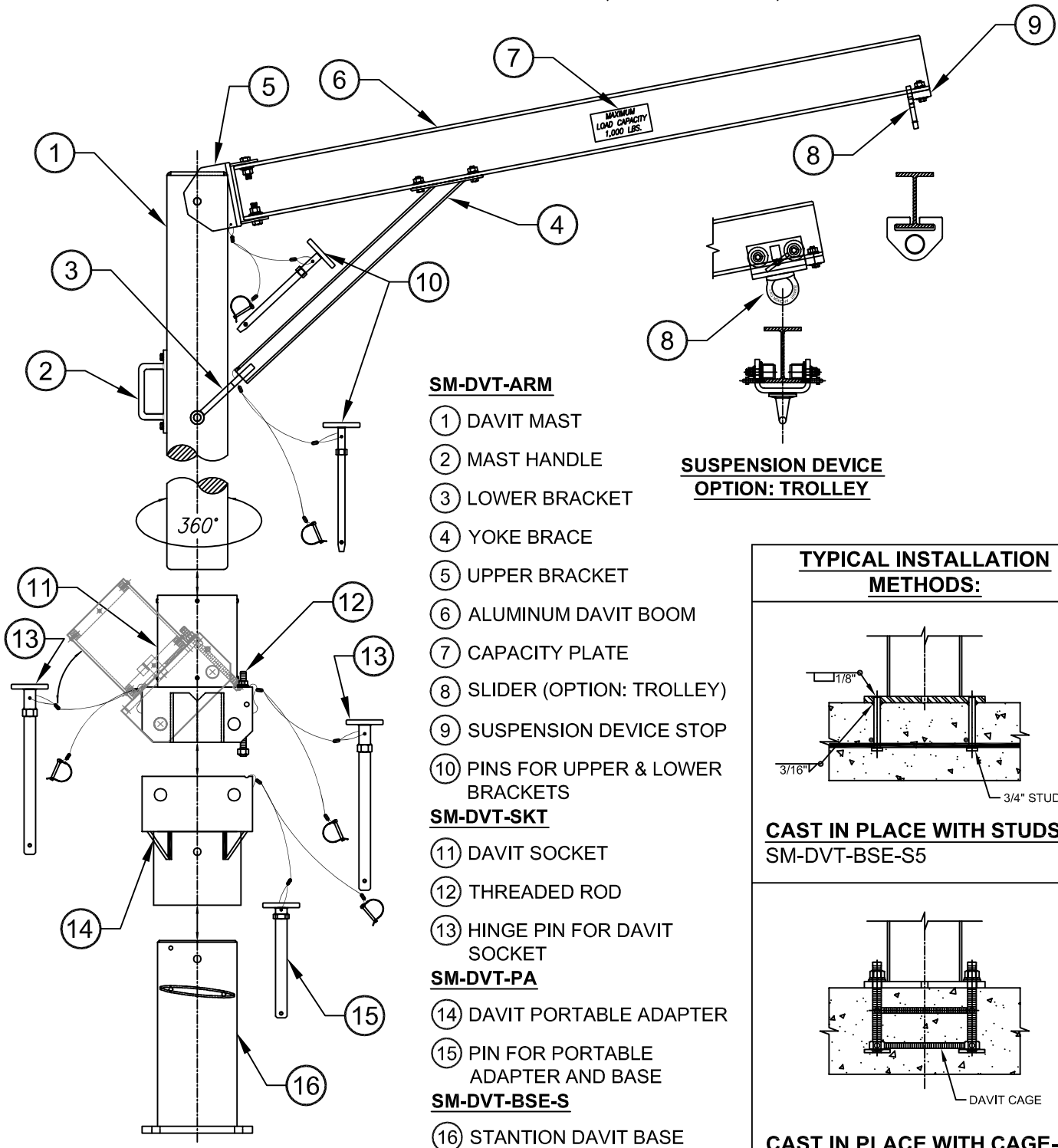
Summit Anchor Company Inc.

4507 Metropolitan Ct., Suite F
Frederick, MD 21704
Tel: 301.874.4941, Fax: 301.620.9819
Toll Free: 800.372.1098
Web: www.summitanchor.com

NOTE:
DAVIT IS CAPABLE OF SUPPORTING 4,000 LB. ULTIMATE LOAD AND 1,000 LB. ALLOWABLE LOAD. DAVIT MAY FAIL DUE TO IMPROPER INSTALLATION OR INADEQUATE SUPPORTING STRUCTURE. SERIOUS INJURY OR DEATH MAY RESULT FROM DAVIT FAILURE. INSTALLATION OF DAVIT MUST BE PERFORMED UNDER THE SUPERVISION OF A PROFESSIONAL ENGINEER WITH EXPERIENCE IN SUSPENDED ACCESS EQUIPMENT. ADDITIONALLY, DAVIT SHALL BE TESTED UNDER THE SUPERVISION OF A P.E. AND CERTIFIED *BEFORE* BEING PLACED INTO SERVICE.

DAVIT ASSEMBLY WITH STANTION BASE

SUMMIT MODELS: SM-DVT-ARM,
SM-DVT-PA, SM-DVT-SKT, SM-DVT-BSE-S



SM-DVT-ARM

- ① DAVIT MAST
- ② MAST HANDLE
- ③ LOWER BRACKET
- ④ YOKE BRACE
- ⑤ UPPER BRACKET
- ⑥ ALUMINUM DAVIT BOOM
- ⑦ CAPACITY PLATE
- ⑧ SLIDER (OPTION: TROLLEY)
- ⑨ SUSPENSION DEVICE STOP
- ⑩ PINS FOR UPPER & LOWER BRACKETS

SM-DVT-SKT

- ⑪ DAVIT SOCKET
- ⑫ THREADED ROD
- ⑬ HINGE PIN FOR DAVIT SOCKET

SM-DVT-PA

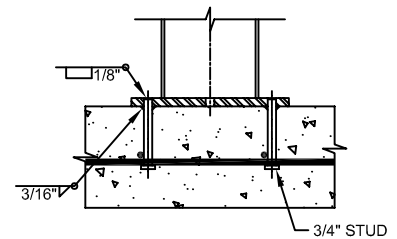
- ⑭ DAVIT PORTABLE ADAPTER
- ⑮ PIN FOR PORTABLE ADAPTER AND BASE

SM-DVT-BSE-S

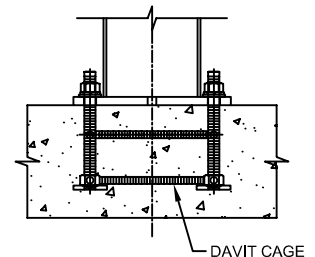
- ⑯ STANTION DAVIT BASE

SUSPENSION DEVICE OPTION: TROLLEY

TYPICAL INSTALLATION METHODS:



CAST IN PLACE WITH STUDS- SM-DVT-BSE-S5



CAST IN PLACE WITH CAGE- SM-DVT-BSE-S1 & SM-DVT-CGE