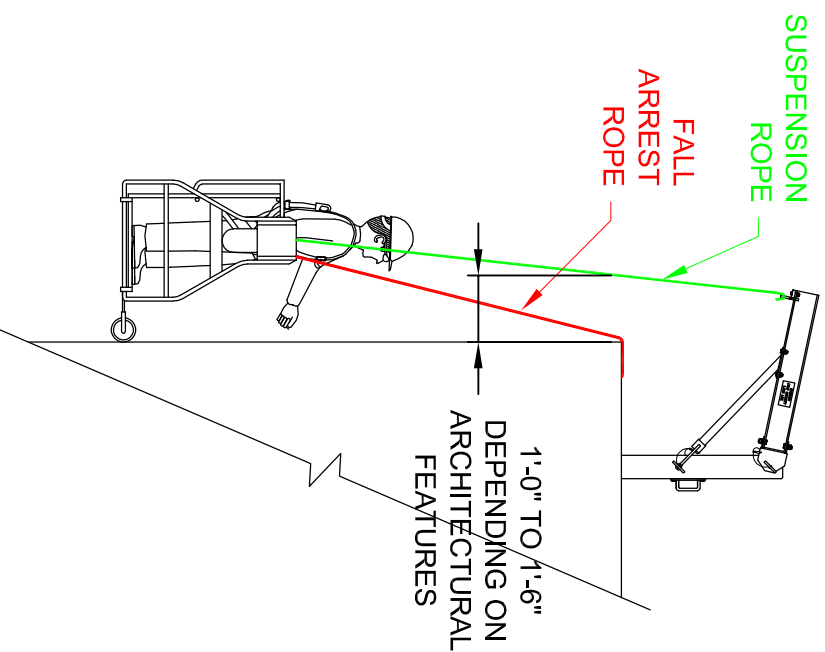
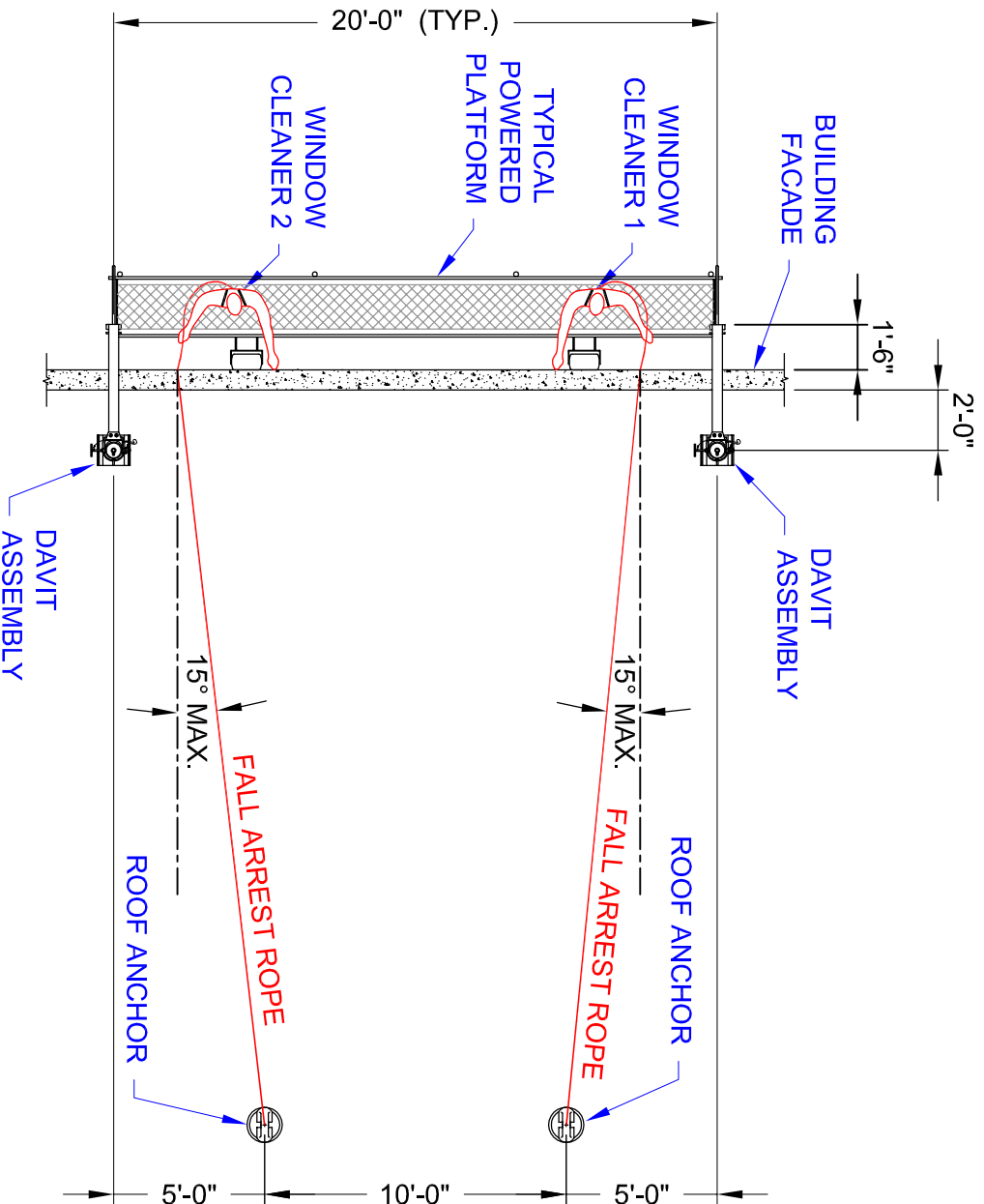


SUGGESTED DAVIT LAYOUT



NOTES:

1. DAVIT SPACING MAY VARY DEPENDING ON ROOF CONDITIONS; HOWEVER, SPACING SHOULD BE KEPT AS CONSISTENT AS POSSIBLE TO ALLOW FOR STANDARD POWERED PLATFORM LENGTH.
2. EACH WORKER MUST BE INDEPENDENTLY TIED TO AN ANCHOR ON THE ROOF.
3. PLACEMENT OF RIGGING SLEEVES AND ROOF ANCHORS SHALL ALLOW CABLES SUSPENDING POWERED PLATFORM TO HANG PARALLEL AND IN PLANE OR SLIGHTLY ANGULATED WITH THE BUILDING WHEN IN USE AND TO ALLOW THE PLATFORM TO PRESS FIRMLY AGAINST THE BUILDING DURING ITS VERTICAL TRAVEL.